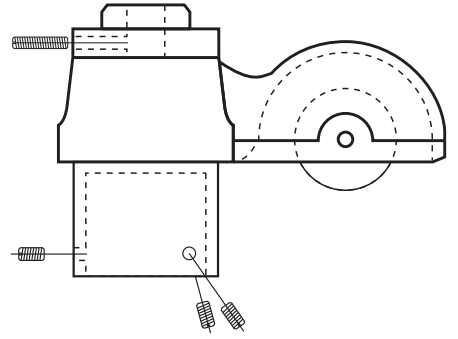
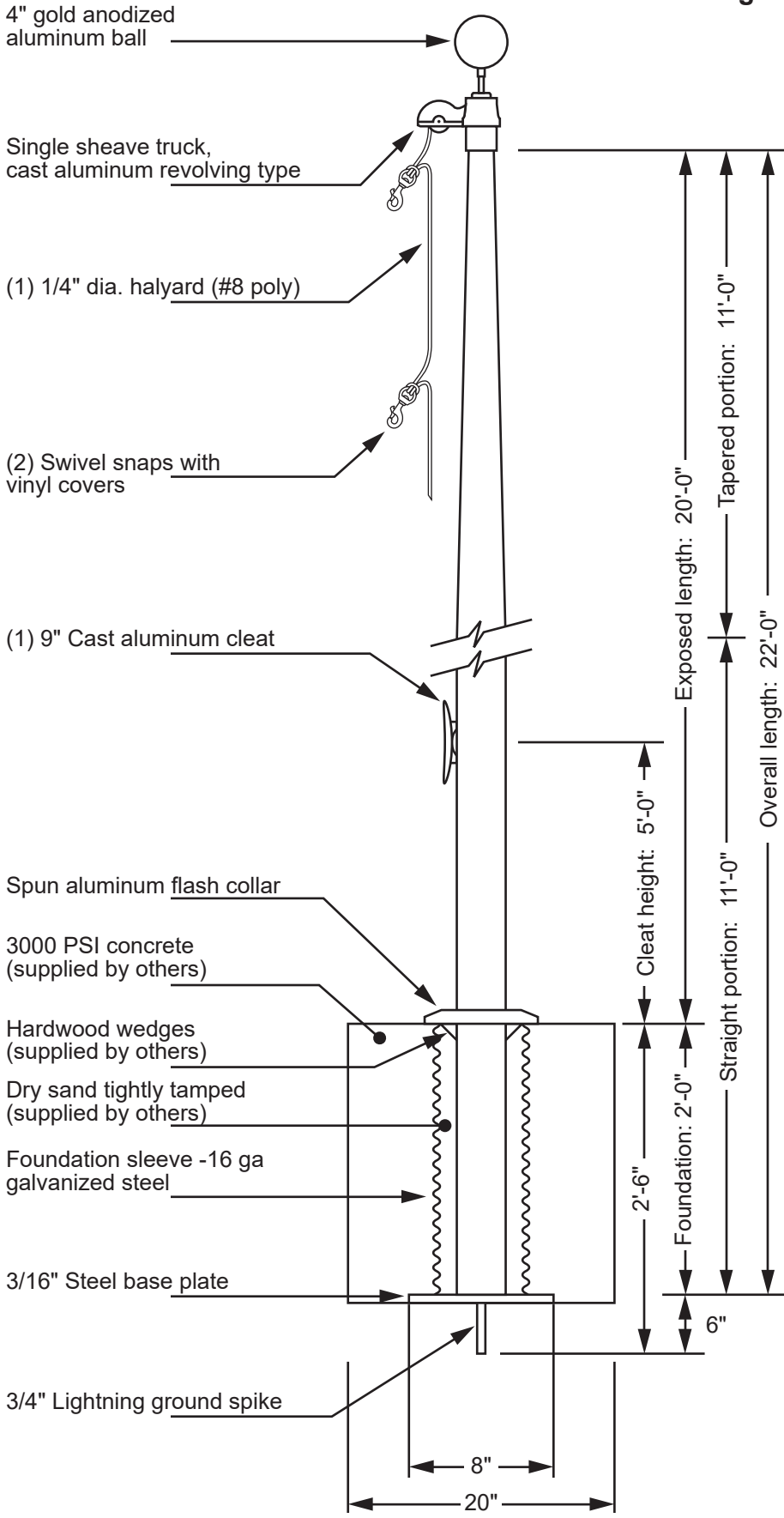



# Model ECSA20 - External Single Halyard



**Single Sheave Truck Detail**  
 Cap style  
 Revolving truck  
 Cast aluminum body  
 Nylon sheave

Project: Location: Contractor: Customer:	Date: Job: Revision:	Exposed Height ___ 20'-0" Overall Height ___ 22'-0" Butt Diameter ___ 4" Top Diameter ___ 2-3/8" Wall Thickness ___ .125" Ships in 1 section	Ground Set Tapered Aluminum Flagpole ALLOY 6063T6 80 grit polish FINISH:	<b>EDER FLAG</b> 1000 W. Rawson Avenue Oak Creek, WI 53154 www.ederflag.com 
---	----------------------------	---	--	---