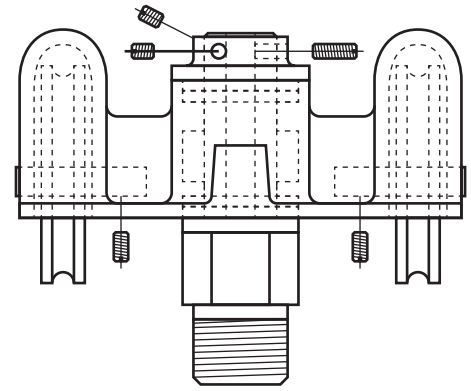
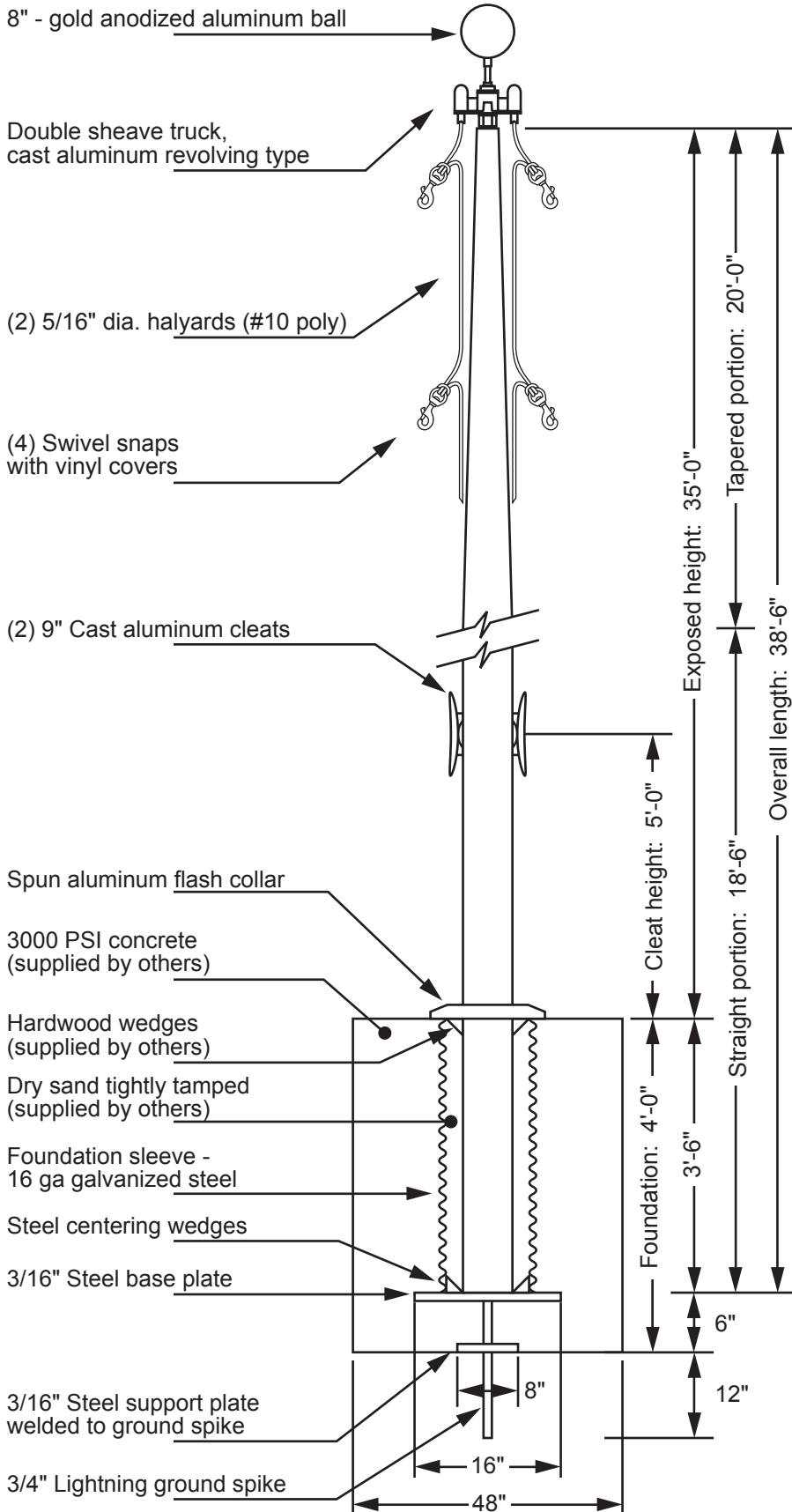


Model ECH35 - Hurricane External Double Halyard



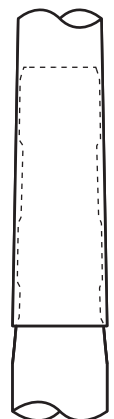
Double sheave truck detail

Revolving truck
 Cast aluminum body
 Stainless steel ball bearings
 Nylon sheaves
 Cast aluminum spindle

All shafts with overall length of more than 38'-6" are shipped in multiple sections.

Each section matched and marked for field assembly. Exposed portion of jam sleeve must be **well lubricated** prior to assembly.

1-1/2" maximum shop gap allowed for field fitting.



Project:
 Location:
 Contractor:
 Customer:

Date:
 Job:
 Revision:

Exposed Height __ 35'-0"
 Overall Height __ 38'-6"
 Butt Diameter __ 8"
 Top Diameter __ 3-1/2"
 Wall Thickness __ .250"
 Ships in 2 sections

Ground Set Tapered
 Aluminum Flagpole
 ALLOY 6063T6
 80 grit polish

FINISH:

EDER FLAG
 1000 W. Rawson Avenue
 Oak Creek, WI 53154
 www.ederflag.com

