

Model ECH25 IH - Hurricane Internal Halyard

Single sheave truck, cast aluminum revolving, internal halyard truck

1/8" x 7 x 19 Mil-C-5424
Stainless steel aircraft cable

Standard flag arrangement: 4' x 6'

Neoprene coated 2" x 3-1/2" diameter
steel counterweight

Nylon beaded retainer ring

Gearless, self locking direct drive
winch with six tumbler cylinder lock

Spun aluminum flash collar

3000 PSI concrete
(supplied by others)

Hardwood wedges
(supplied by others)

Dry sand tightly tamped
(supplied by others)

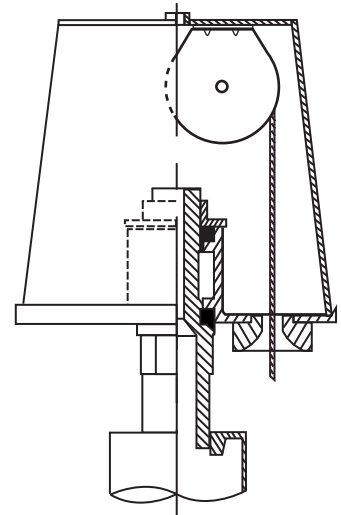
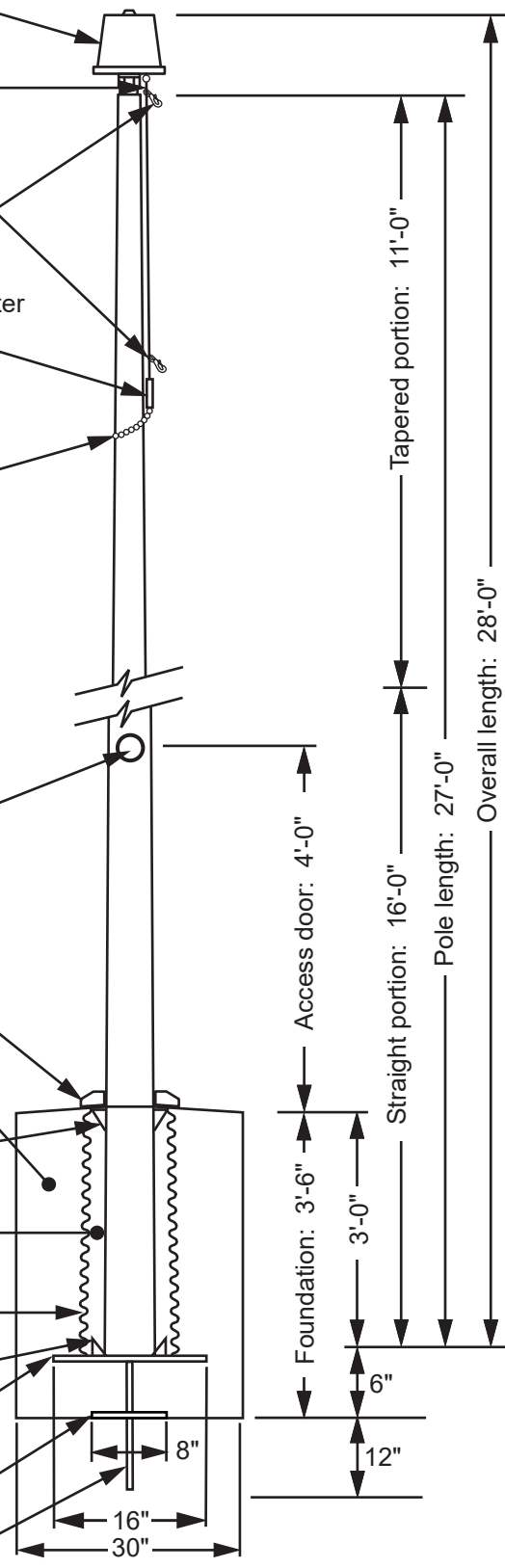
Foundation sleeve -
16 ga galvanized steel

Steel centering wedges

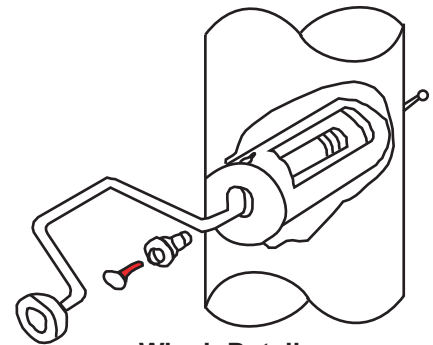
3/16" Steel base plate

3/16" Steel support plate
welded to grounding spike


3/4" Lightning ground spike



Revolving internal halyard truck, cast aluminum body, enclosed stainless steel ball bearings, raceway and 2-1/2" diameter plated steel sheave.



Winch Detail

Project:	Date:	Exposed Height ___ 25'-0"	Ground set tapered aluminum flagpole ALLOY 6063T6 80 grit polish	EDER FLAG 1000 W. Rawson Avenue Oak Creek, WI 53154 www.ederflag.com
Location:	Job:	Overall Height ___ 28'-0"		
Contractor:	Revision:	Butt Diameter ___ 6"	FINISH:	
Customer:		Top Diameter ___ 3-1/2"		
		Wall Thickness ___ .250"		
		Ships in 1 section		