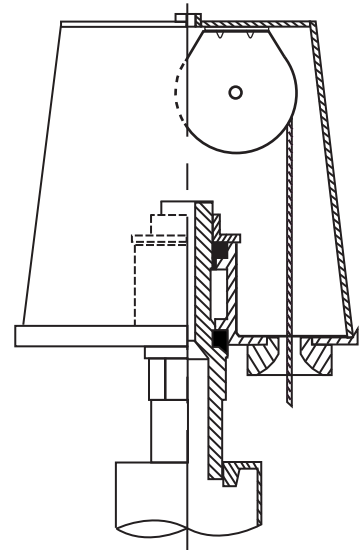
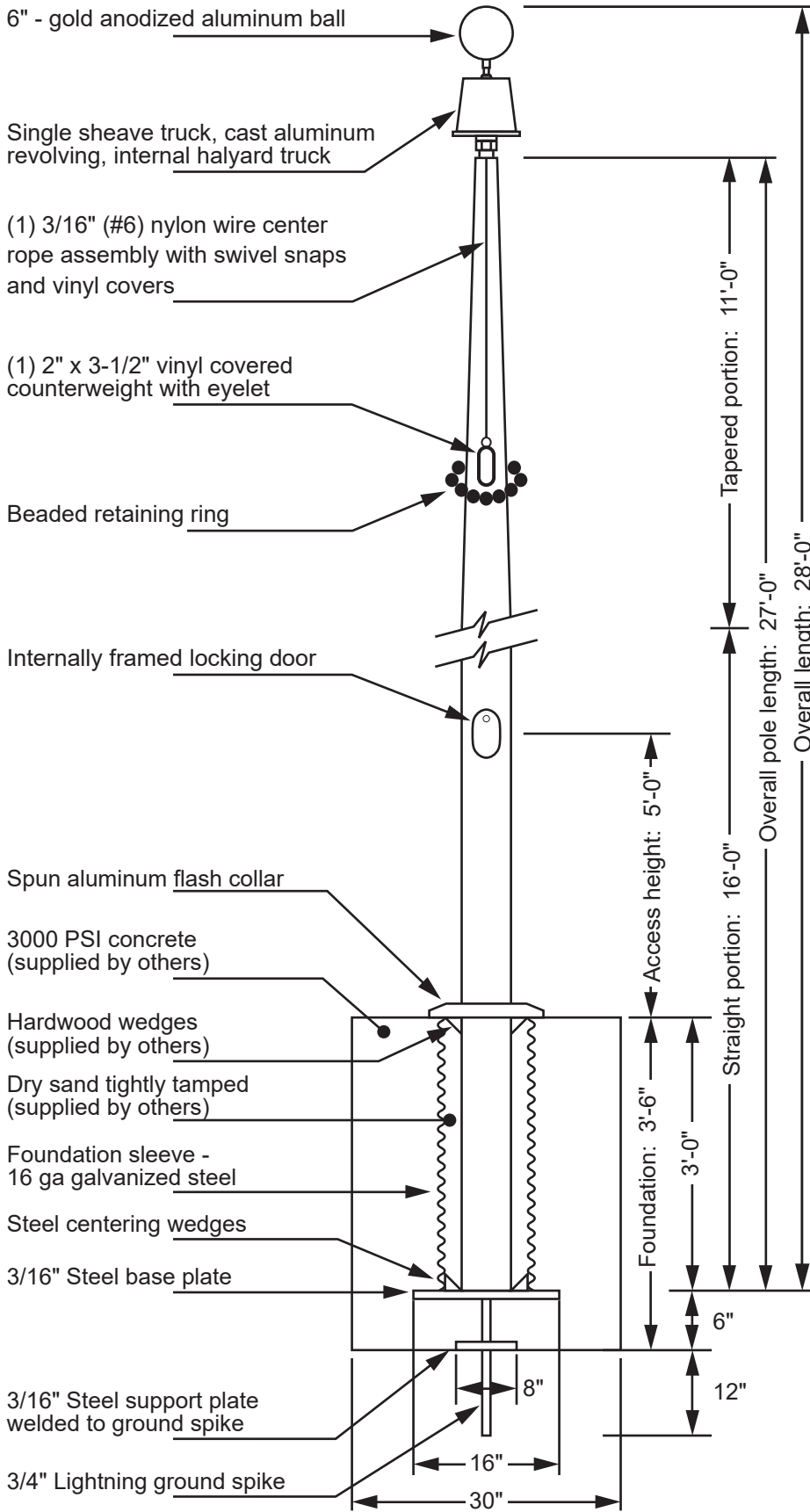
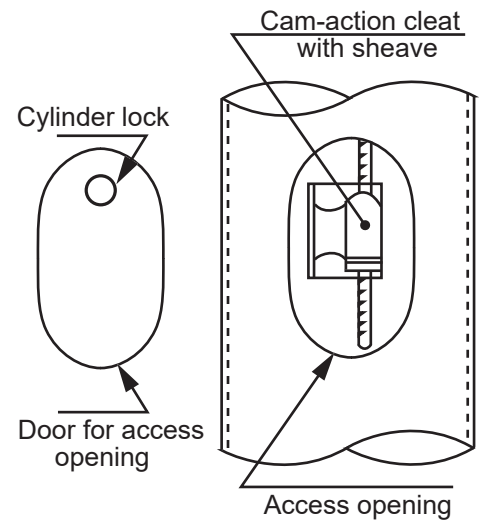


Model ECV25 - Vanguard Internal Halyard



Revolving internal halyard truck
 Cast aluminum body
 Enclosed stainless steel
 Ball bearings and raceway
 plated steel sheave



Project: Location: Contractor: Customer:	Date: Job: Revision:	Exposed Height ___ 25'-0" Overall Height ___ 28'-0" Butt Diameter ___ 6" Top Diameter ___ 3-1/2" Wall Thickness ___ .188" Ships in 1 section	Ground Set Tapered Aluminum Flagpole ALLOY 6063T6 80 grit polish FINISH:
			EDER FLAG 1000 W. Rawson Avenue Oak Creek, WI 53154 www.ederflag.com