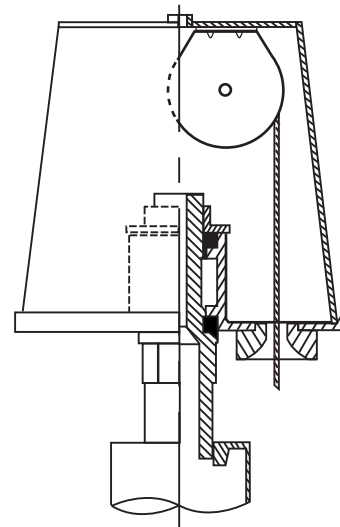
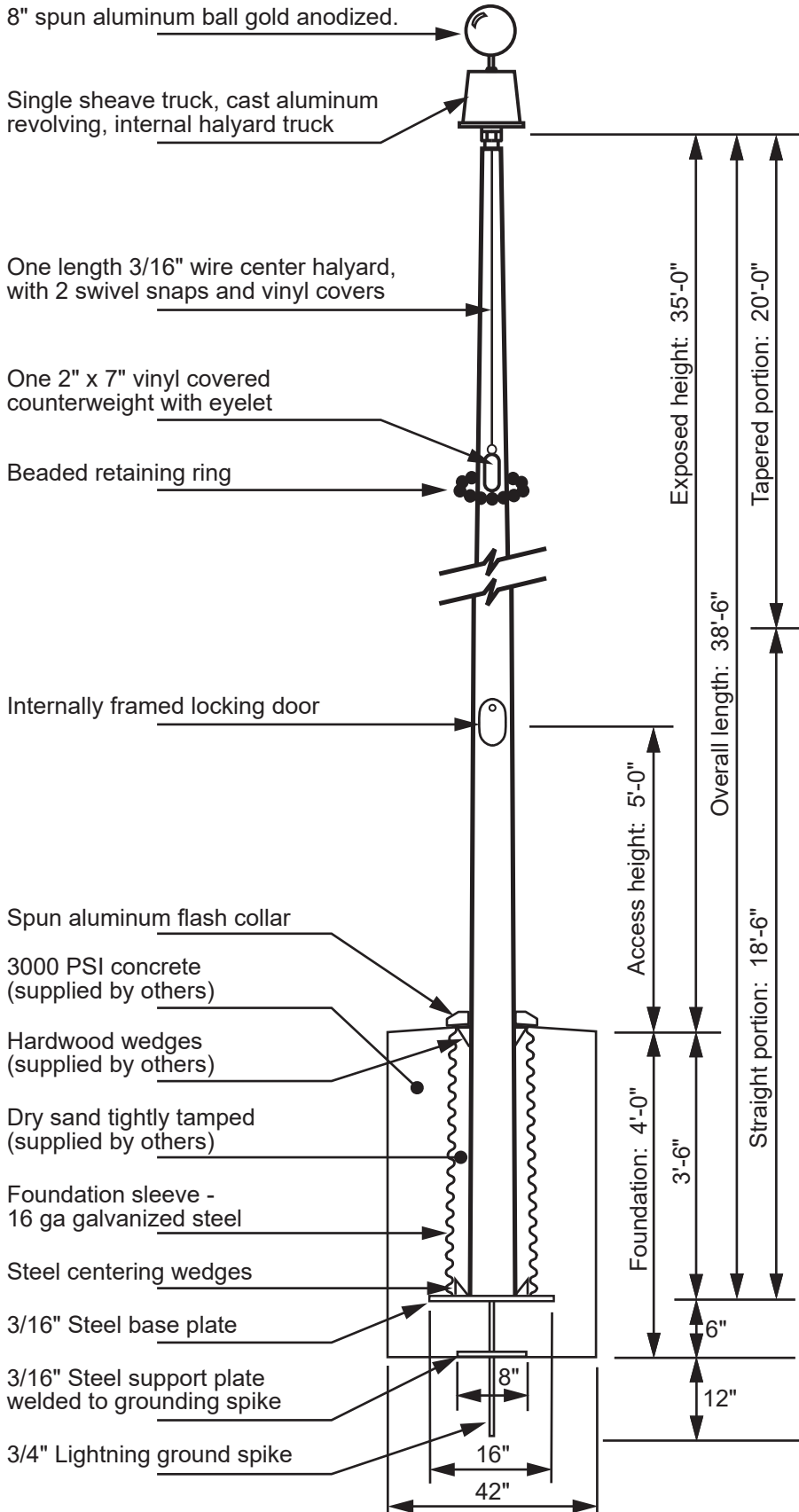
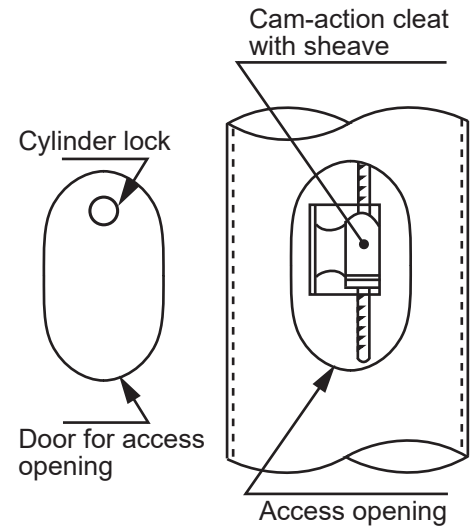


Model ECV35 - Vanguard Internal Halyard



Revolving internal halyard truck, cast aluminum body, enclosed stainless steel ball bearings, raceway and 2-1/2" diameter plated steel sheave.



Project:
Location:
Contractor:
Customer:

Date:
Job:
Revision:

Exposed Height ___ 35'-0"
Overall Height ___ 38'-6"
Butt Diameter ___ 7"
Top Diameter ___ 3-1/2"
Wall Thickness ___ .188"
Ships in 1 section

Ground set tapered aluminum flagpole
ALLOY 6063T6
80 grit polish
FINISH:

EDER FLAG
1000 W. Rawson Avenue
Oak Creek, WI 53154
www.ederflag.com

