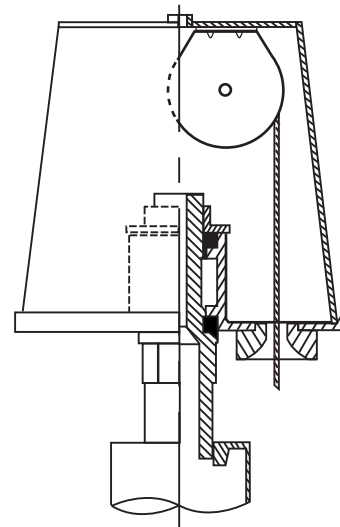
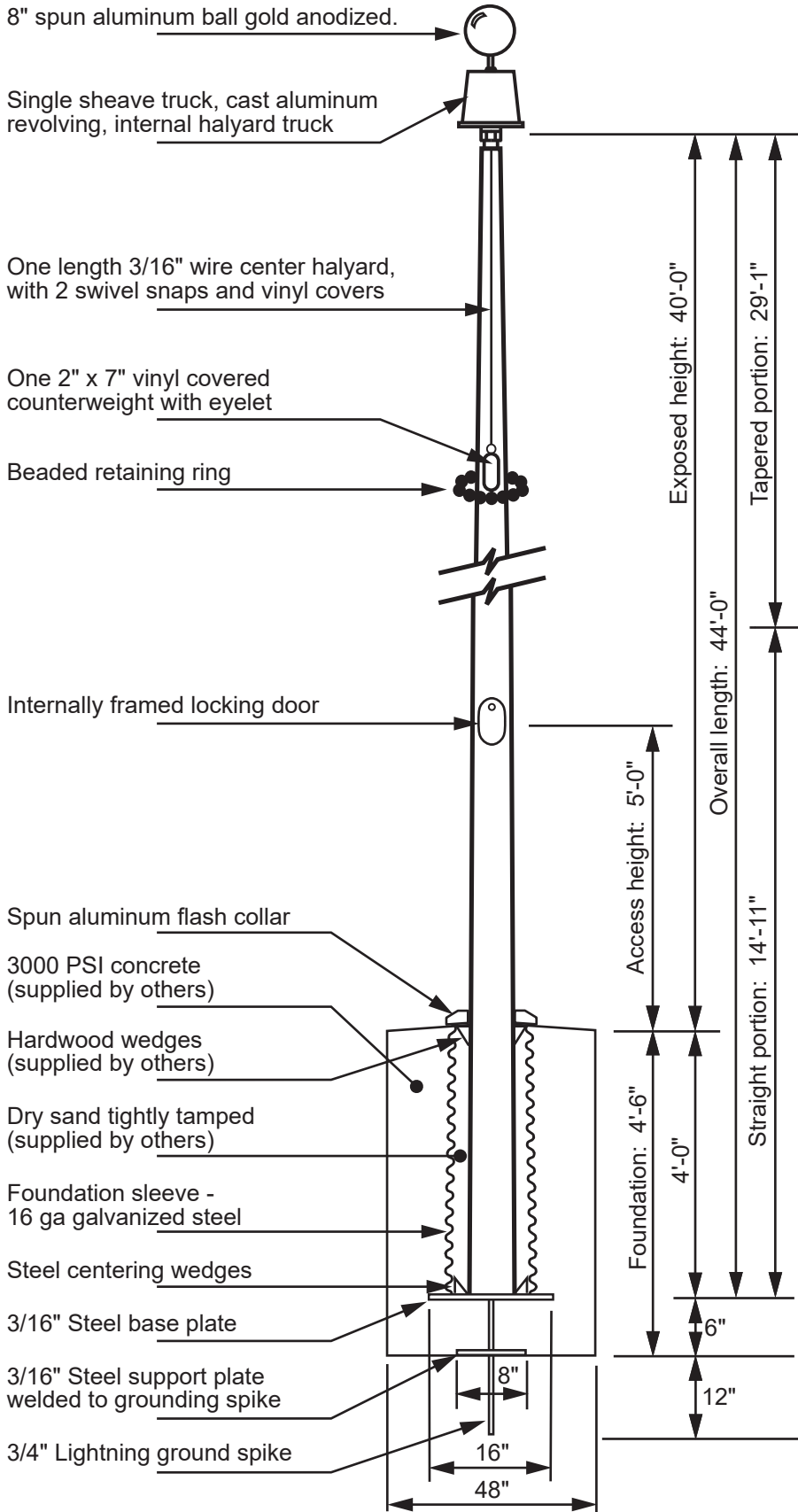
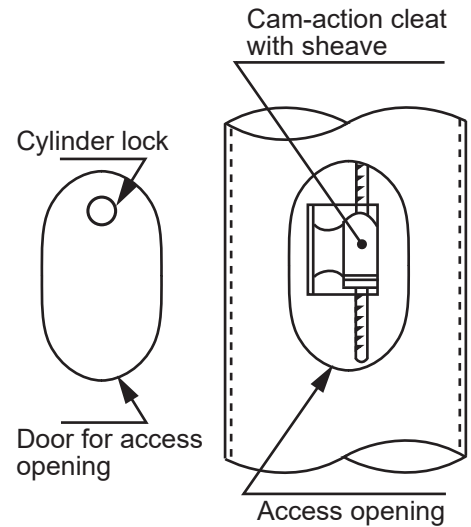


# Model ECV40 - Vanguard Internal Halyard



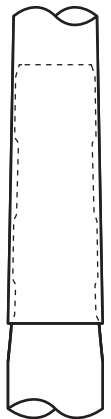
Revolving internal halyard truck, cast aluminum body, enclosed stainless steel ball bearings, raceway and 2-1/2" diameter plated steel sheave.



All shafts with overall length of more than 38'-6" are shipped in multiple sections.

Each section matched and marked for field assembly. Exposed portion of jam sleeve must be **well lubricated** prior to assembly.

1-1/2" maximum shop gap allowed for field fitting.



Project:	Date:
Location:	Job:
Contractor:	Revision:
Customer:	

Exposed Height	40'-0"
Overall Height	44'-0"
Butt Diameter	8"
Top Diameter	3-1/2"
Wall Thickness	.188"
Ships in 2 sections	

Ground set tapered aluminum flagpole
ALLOY 6063T6
80 grit polish
FINISH:

**EDER FLAG**  
 1000 W. Rawson Avenue  
 Oak Creek, WI 53154  
 www.ederflag.com

