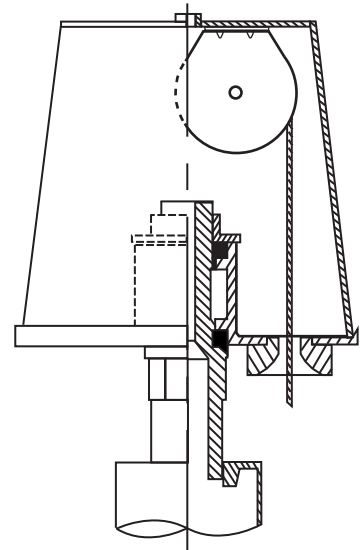
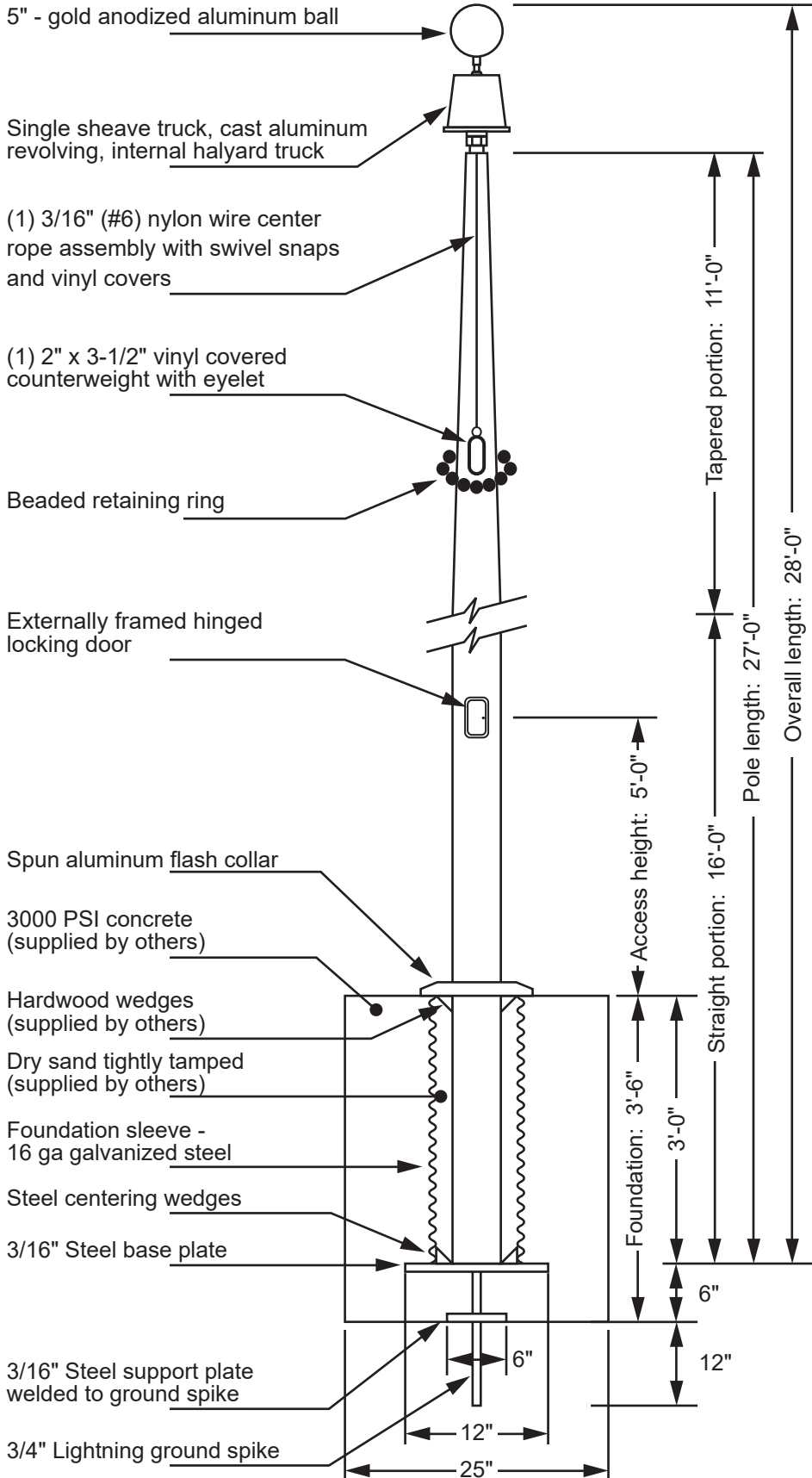
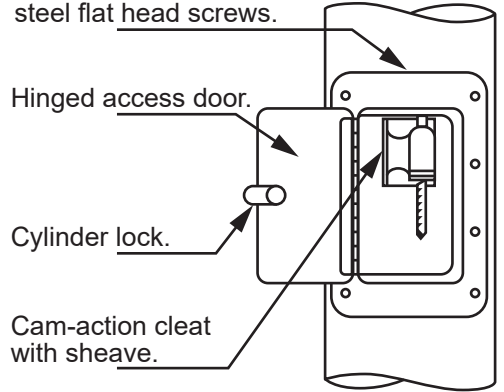


## Model ECXAV25 - Vanguard Internal Halyard



**Revolving Internal Halyard Truck**  
 Cast aluminum body  
 Enclosed stainless steel ball bearing and raceway  
 Plated steel sheave

Reinforced, cast aluminum access frame mounted to shaft with 8, 1/4 20 x 1/2" stainless steel flat head screws.



Project:  
 Location:  
 Contractor:  
 Customer:

Date:  
 Job:  
 Revision:

Pole Length \_\_\_\_ 27'-0"  
 Overall Height \_\_\_\_ 28'-0"  
 Butt Diameter \_\_\_\_ 5"  
 Top Diameter \_\_\_\_ 3"  
 Wall Thickness \_\_\_\_ .156"  
 Ships in 1 section

Ground Set Tapered Aluminum Flagpole  
 ALLOY 6063T6  
 80 grit polish

FINISH:

**EDER FLAG**  
 1000 W. Rawson Avenue  
 Oak Creek, WI 53154  
 www.ederflag.com

