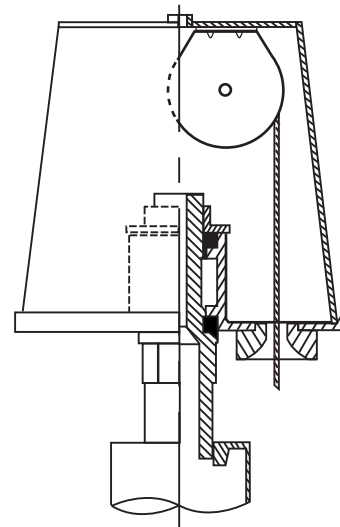
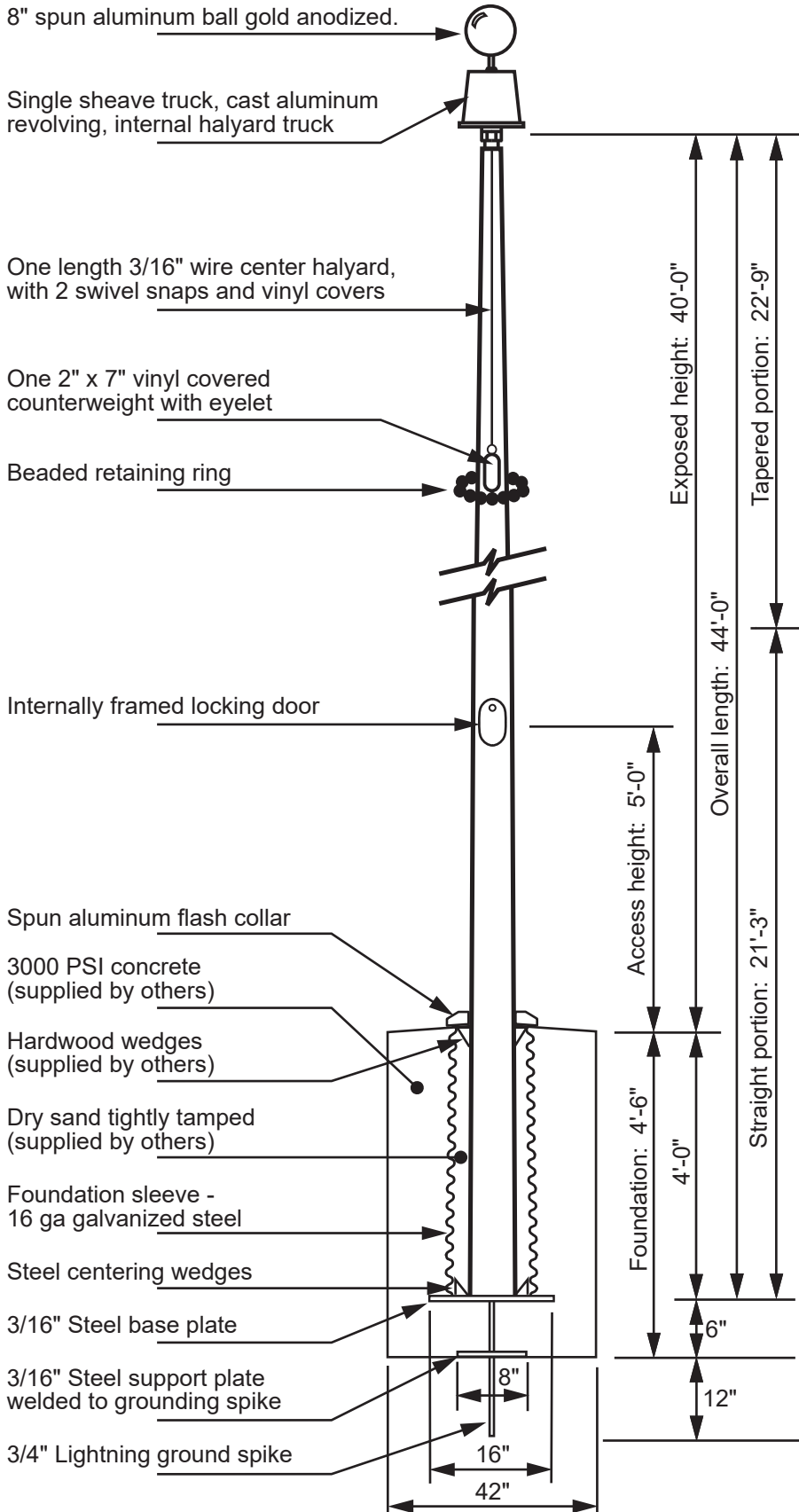
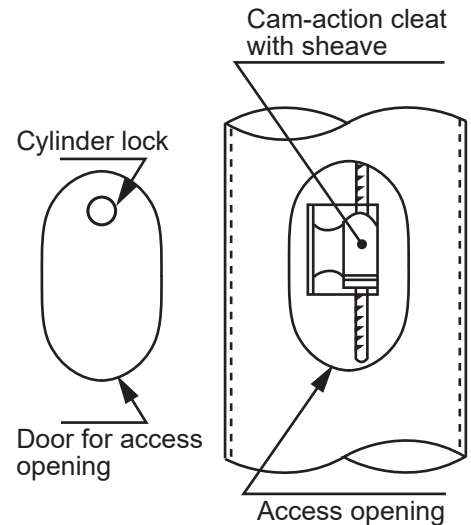


## Model ECXV40 - Vanguard Internal Halyard



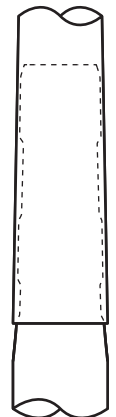
Revolving internal halyard truck, cast aluminum body, enclosed stainless steel ball bearings, raceway and 2-1/2" diameter plated steel sheave.



All shafts with overall length of more than 38'-6" are shipped in multiple sections.

Each section matched and marked for field assembly. Exposed portion of jam sleeve must be **well lubricated** prior to assembly.

1-1/2" maximum shop gap allowed for field fitting.



Project:  
Location:  
Contractor:  
Customer:

Date:  
Job:  
Revision:

Exposed Height \_\_\_ 40'-0"  
Overall Height \_\_\_ 44'-0"  
Butt Diameter \_\_\_ 7"  
Top Diameter \_\_\_ 3-1/2"  
Wall Thickness \_\_\_ .156"  
Ships in 2 sections

Ground set tapered aluminum flagpole  
ALLOY 6063T6  
80 grit polish  
FINISH:

**EDER FLAG**  
1000 W. Rawson Avenue  
Oak Creek, WI 53154  
www.ederflag.com

