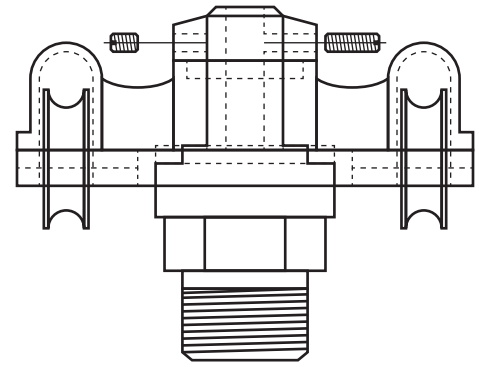
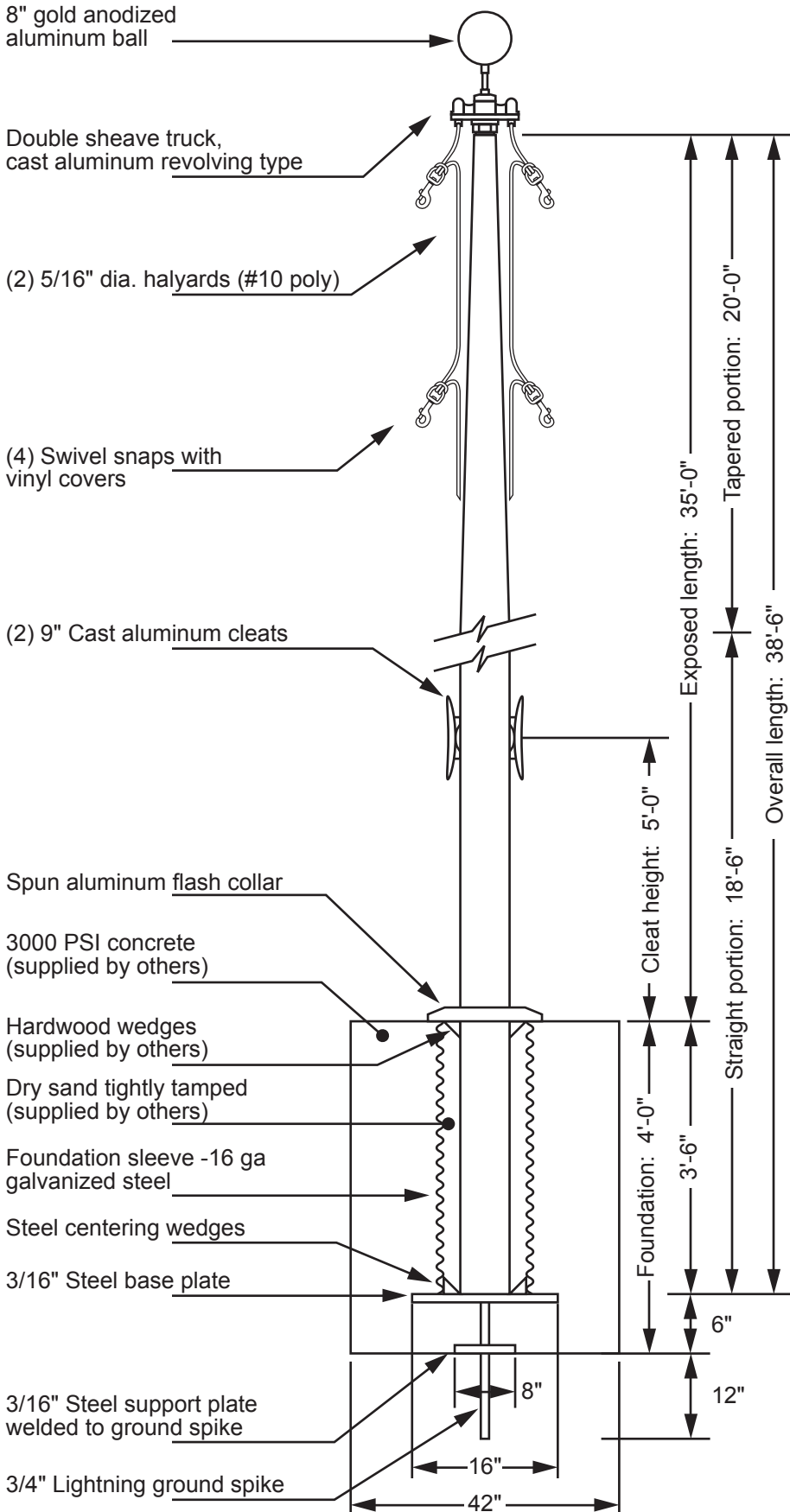


## Model ECA35 - External Double Halyard



**Double Sheave Truck Detail**  
 Revolving truck  
 Cast aluminum body  
 Stainless steel ball bearings  
 Cast aluminum sheaves  
 Cast aluminum spindle

Project: Location: Contractor: Customer:	Date: Job: Revision:	Exposed Height __ 35'-0" Overall Height __ 38'-6" Butt Diameter __ 7" Top Diameter __ 3-1/2" Wall Thickness __ .156" Ships in 1 section	Ground Set Tapered Aluminum Flagpole ALLOY 6063T6 80 grit polish <hr/> FINISH:
			<b>EDER FLAG</b> 1000 W. Rawson Avenue Oak Creek, WI 53154 www.ederflag.com 