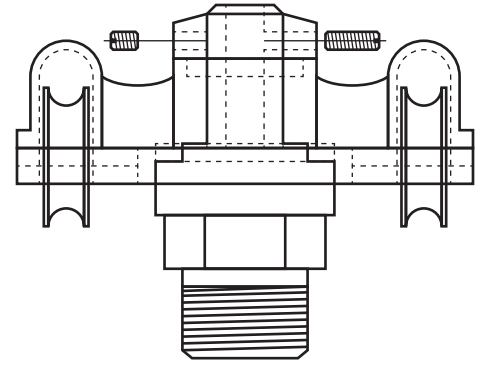
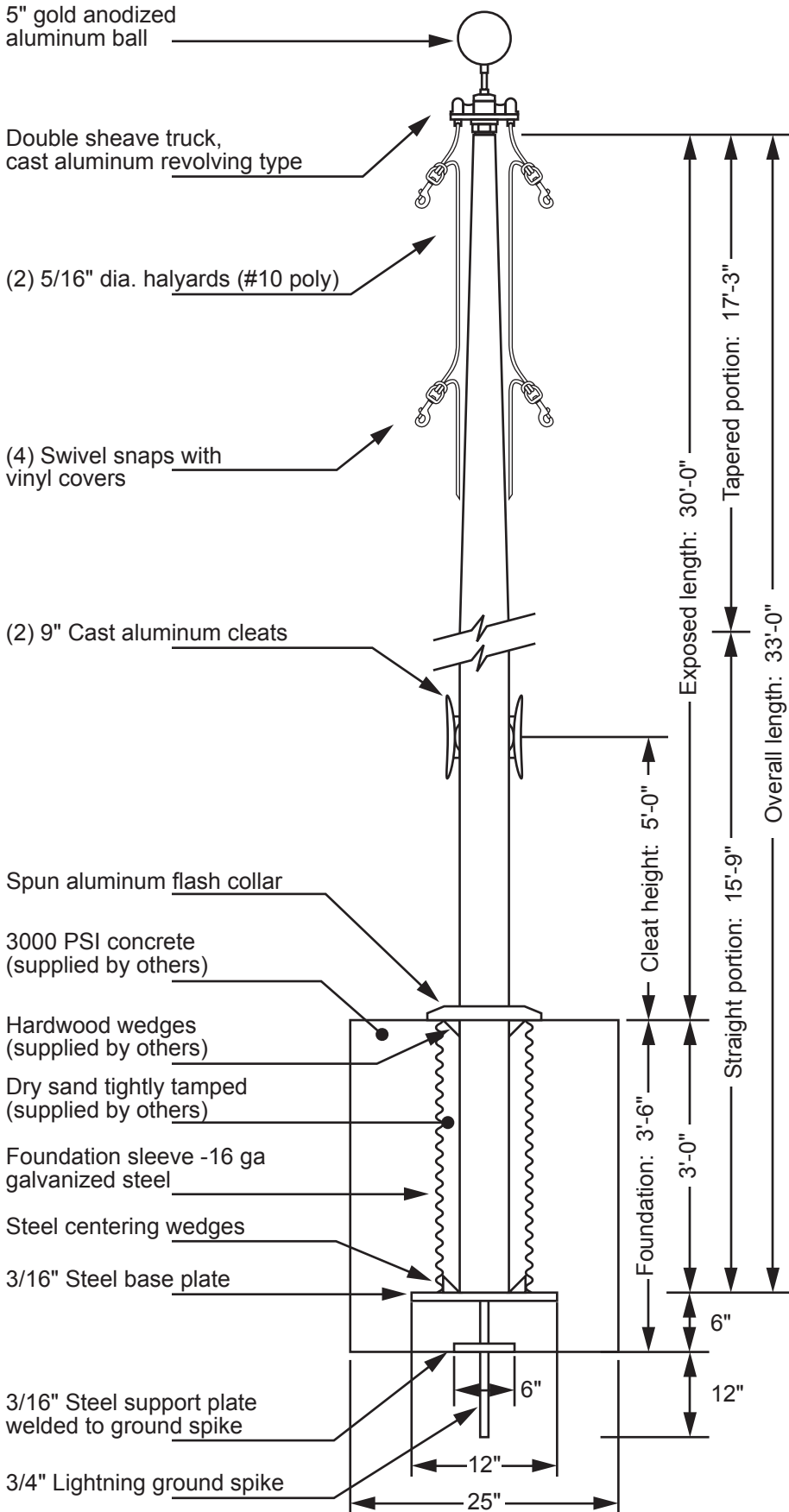


Model ECL30 - External Double Halyard



Double Sheave Truck Detail

- Revolving truck
- Cast aluminum body
- Stainless steel ball bearings
- Cast aluminum sheaves
- Cast aluminum spindle

Project: Location: Contractor: Customer:	Date: Job: Revision:	Exposed Height ___ 30'-0" Overall Height ___ 33'-0" Butt Diameter ___ 5" Top Diameter ___ 3" Wall Thickness ___ .188" Ships in 1 section	Ground Set Tapered Aluminum Flagpole ALLOY 6063T6 80 grit polish <hr/> FINISH:
			EDER FLAG 1000 W. Rawson Avenue Oak Creek, WI 53154 www.ederflag.com