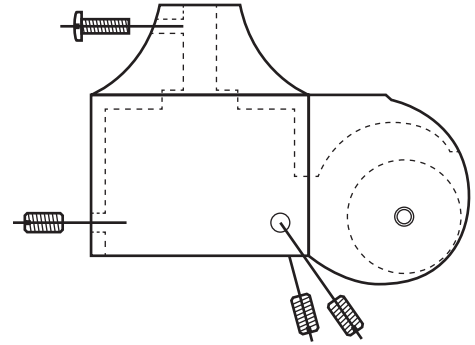
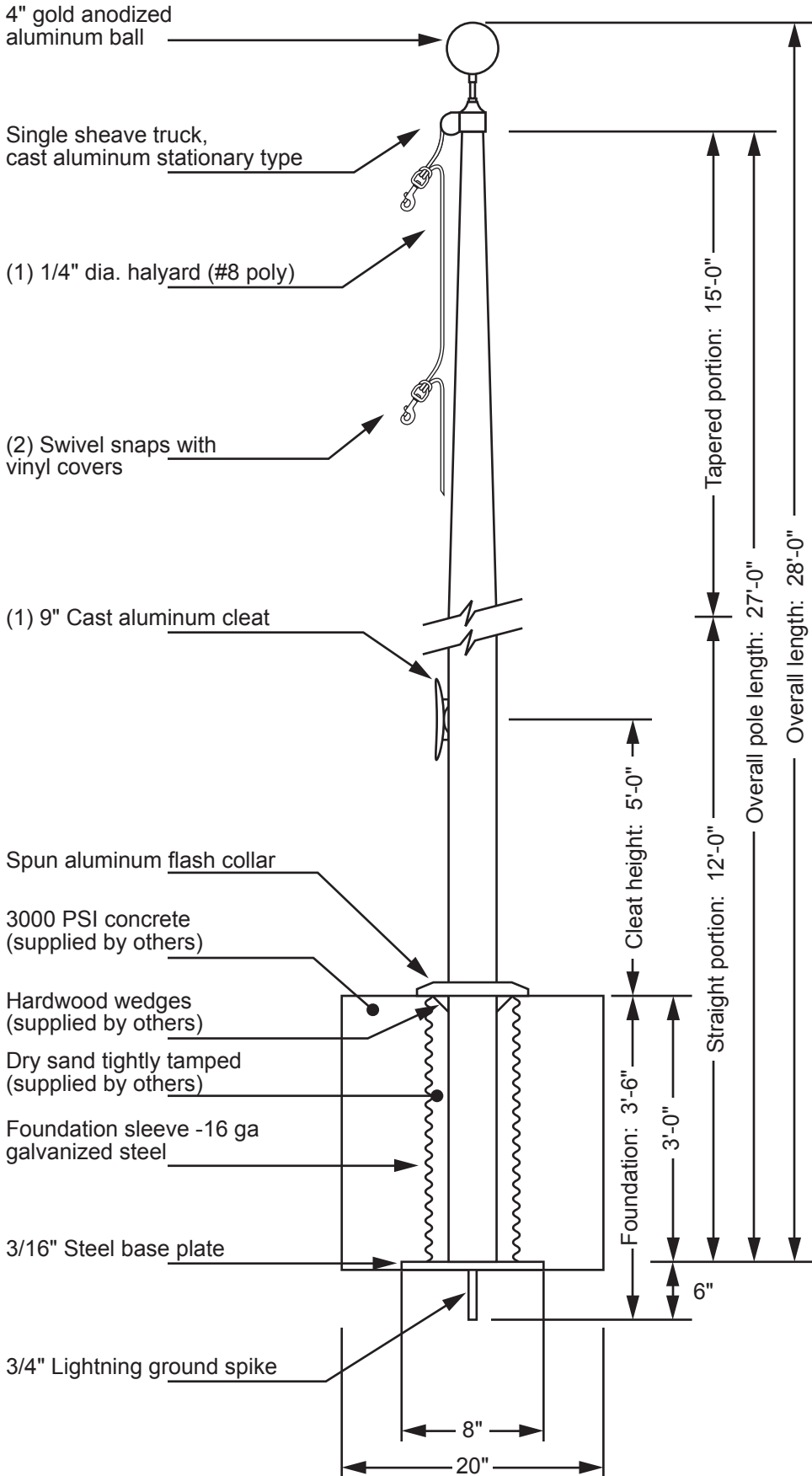



Model ECSA25 - External Single Halyard



Single Sheave Truck Detail
 Stationary truck
 Cast aluminum body
 Nylon sheave

Project:	Date:	Exposed Height __ 25'-0"	Ground Set Tapered Aluminum Flagpole ALLOY 6063T6 80 grit polish	EDER FLAG 1000 W. Rawson Avenue Oak Creek, WI 53154 www.ederflag.com
Location:	Job:	Overall Height __ 28'-0"		
Contractor:	Revision:	Butt Diameter __ 4"	FINISH:	
Customer:		Top Diameter __ 2-3/8"		
		Wall Thickness __ .125"		
		Ships in 1 section		