

# Model ECSA35 IH - Deluxe Internal Halyard

Single sheave truck, cast aluminum revolving, internal halyard truck

1/8" x 7 x 19 Mil-C-5424  
Stainless steel aircraft cable

Standard flag arrangement: 6'x10'

Neoprene coated 2" diameter  
steel counterweight

Nylon beaded retainer ring

Gearless, self locking direct drive  
winch with six tumbler cylinder lock

Spun aluminum flash collar

3000 PSI concrete  
(supplied by others)

Hardwood wedges  
(supplied by others)

Dry sand tightly tamped  
(supplied by others)

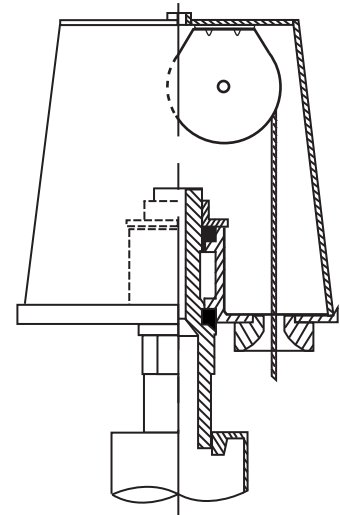
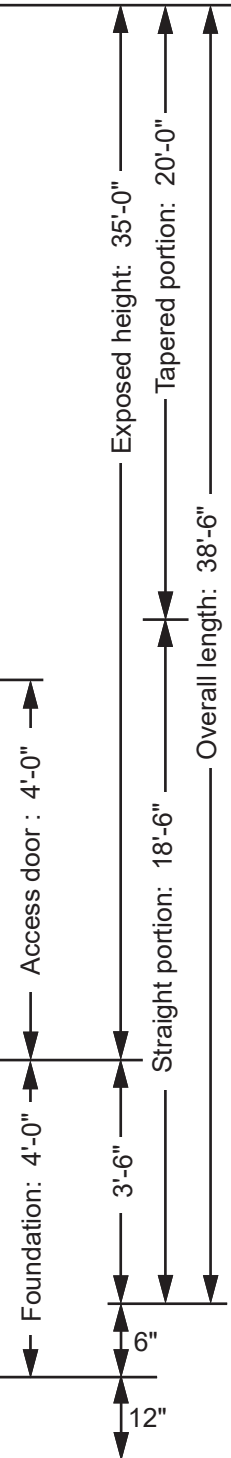
Foundation sleeve -  
16 ga galvanized steel

Steel centering wedges

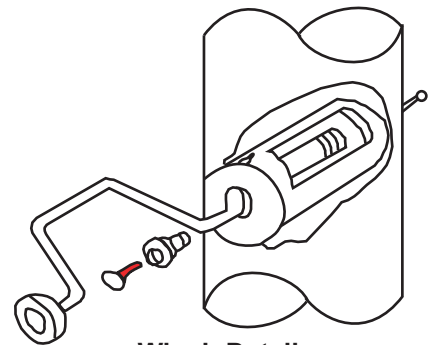
3/16" Steel base plate

3/16" Steel support plate  
welded to grounding spike

3/4" Lightning ground spike



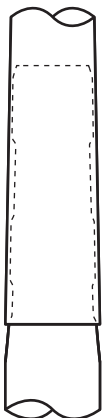
Revolving internal halyard truck, cast aluminum body, enclosed stainless steel ball bearings, raceway and 2-1/2" diameter plated steel sheave.



Winch Detail

Each section matched and marked for field assembly. Exposed portion of jam sleeve must be **well lubricated** prior to assembly.

1-1/2" maximum shop gap allowed for field fitting (ram for tight joint)



Project:	Date:
Location:	Job:
Contractor:	Revision:
Customer:	

Exposed Height	35'-0"
Overall Height	38'-6"
Butt Diameter	5"
Top Diameter	3"
Wall Thickness	.188"
Ships in 1 section	

Ground set tapered aluminum flagpole ALLOY 6063T6 80 grit polish
FINISH:

**EDER FLAG**  
1000 W. Rawson Avenue  
Oak Creek, WI 53154  
www.ederflag.com