

Model ECXA25 IH - Deluxe Internal Halyard

Single sheave truck, cast aluminum revolving, internal halyard truck

1/8" x 7 x 19 Mil-C-5424
Stainless steel aircraft cable

Standard flag arrangement: 4' x 6'

Neoprene coated 2" diameter
steel counterweight

Nylon beaded retainer ring

Gearless, self locking direct drive
winch with six tumbler cylinder lock

Spun aluminum flash collar

3000 PSI concrete
(supplied by others)

Hardwood wedges
(supplied by others)

Dry sand tightly tamped
(supplied by others)

Foundation sleeve -
16 ga galvanized steel

Steel centering wedges

3/16" Steel base plate

3/16" Steel support plate
welded to grounding spike

3/4" Lightning ground spike

Access door : 4'-0"

Straight portion: 16'-0"

Tapered portion: 11'-0"

Pole length: 27'-0"

Overall length: 28'-0"

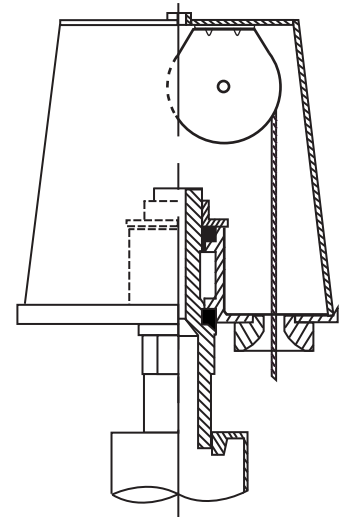
Foundation: 3'-6"

3'-0"

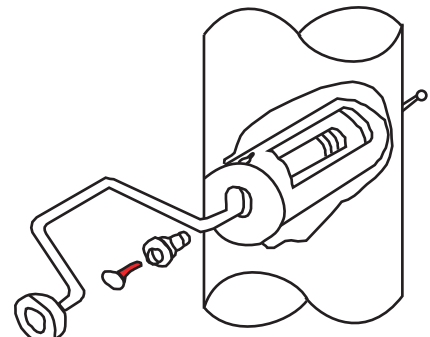
6"

12"

12" 25"



Revolving internal halyard truck, cast aluminum body, enclosed stainless steel ball bearings, raceway and 2-1/2" diameter plated steel sheave.



Winch Detail

Project:
Location:
Contractor:
Customer:

Date:
Job:
Revision:

Exposed Height __ 25'-0"
Overall Height __ 28'-0"
Butt Diameter __ 5"
Top Diameter __ 3"
Wall Thickness __ .156"
Ships in 1 section

Ground set tapered
aluminum flagpole
ALLOY 6063T6
80 grit polish

FINISH:

EDER FLAG
1000 W. Rawson Avenue
Oak Creek, WI 53154
www.ederflag.com

