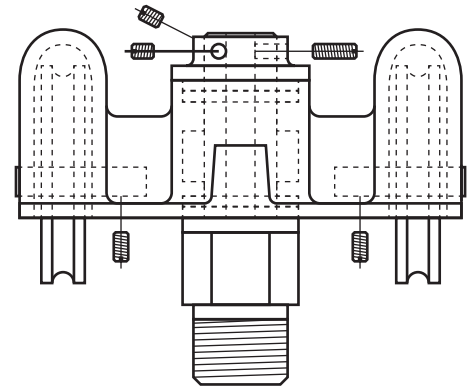
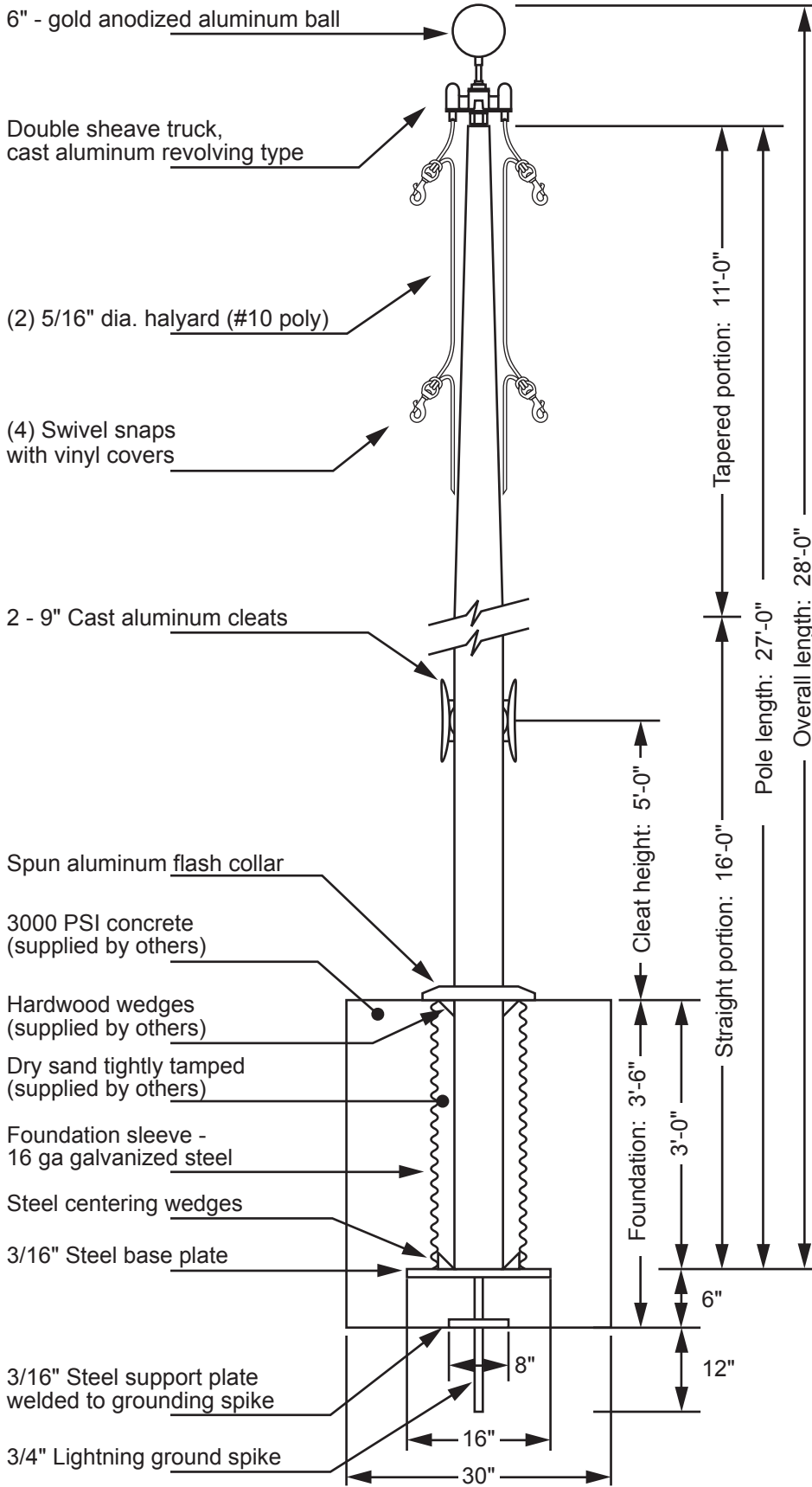


Model ECH25 - Hurricane External Double Halyard



Double Sheave Truck Detail

- Revolving Truck
- Cast aluminum body
- Stainless steel ball bearings
- Nylon sheaves
- Cast aluminum spindle

Project:
Location:
Contractor:
Customer:

Date:
Job:
Revision:

Exposed Height __ 25'-0"
Overall Height __ 28'-0"
Butt Diameter __ 6"
Top Diameter __ 3-1/2"
Wall Thickness __ .250"
Ships in 1 sections

Ground Set Tapered
Aluminum Flagpole
ALLOY 6063T6
80 grit polish

FINISH:

EDER FLAG
1000 W. Rawson Avenue
Oak Creek, WI 53154
www.ederflag.com

