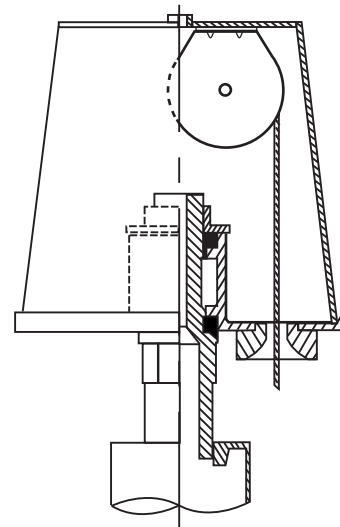
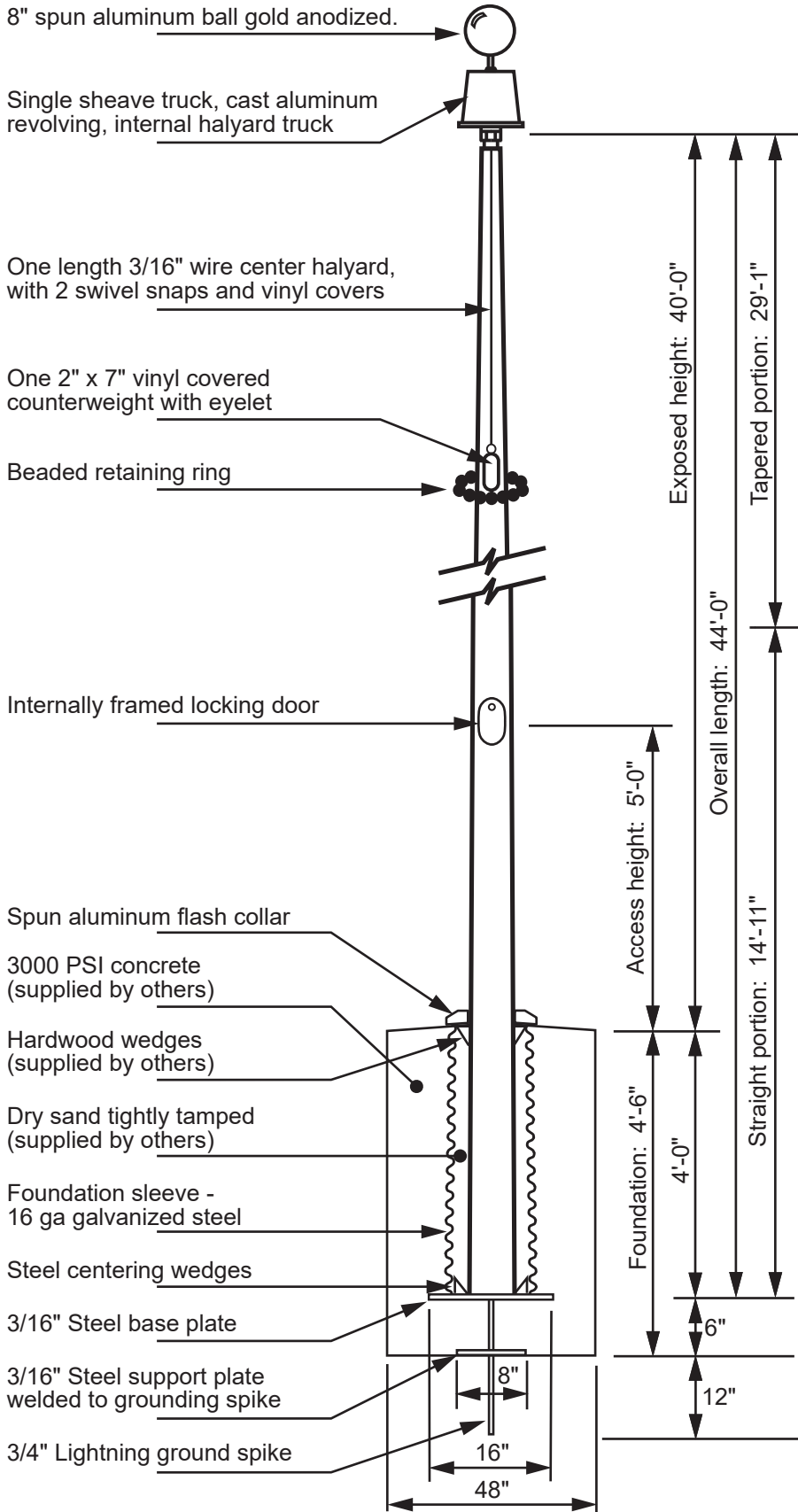
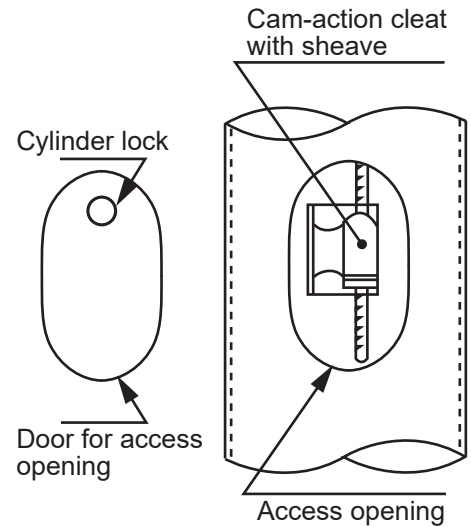


Model ECAV40 - Vanguard Internal Halyard



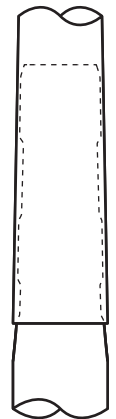
Revolving internal halyard truck, cast aluminum body, enclosed stainless steel ball bearings, raceway and 2-1/2" diameter plated steel sheave.



All shafts with overall length of more than 38'-6" are shipped in multiple sections.

Each section matched and marked for field assembly. Exposed portion of jam sleeve must be **well lubricated** prior to assembly.

1-1/2" maximum shop gap allowed for field fitting.



Project:
Location:
Contractor:
Customer:

Date:
Job:
Revision:

Exposed Height ___ 40'-0"
Overall Height ___ 44'-0"
Butt Diameter ___ 8"
Top Diameter ___ 3-1/2"
Wall Thickness ___ .156"
Ships in 2 sections

Ground set tapered aluminum flagpole
ALLOY 6063T6
80 grit polish

FINISH:

EDER FLAG
1000 W. Rawson Avenue
Oak Creek, WI 53154
www.ederflag.com

