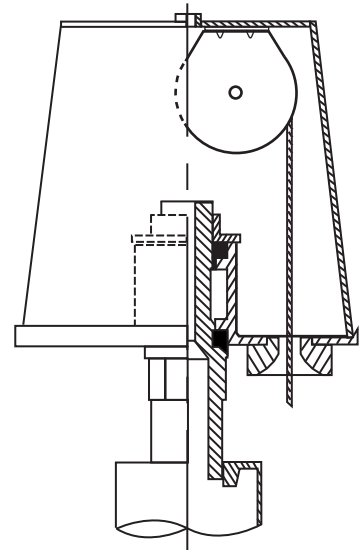
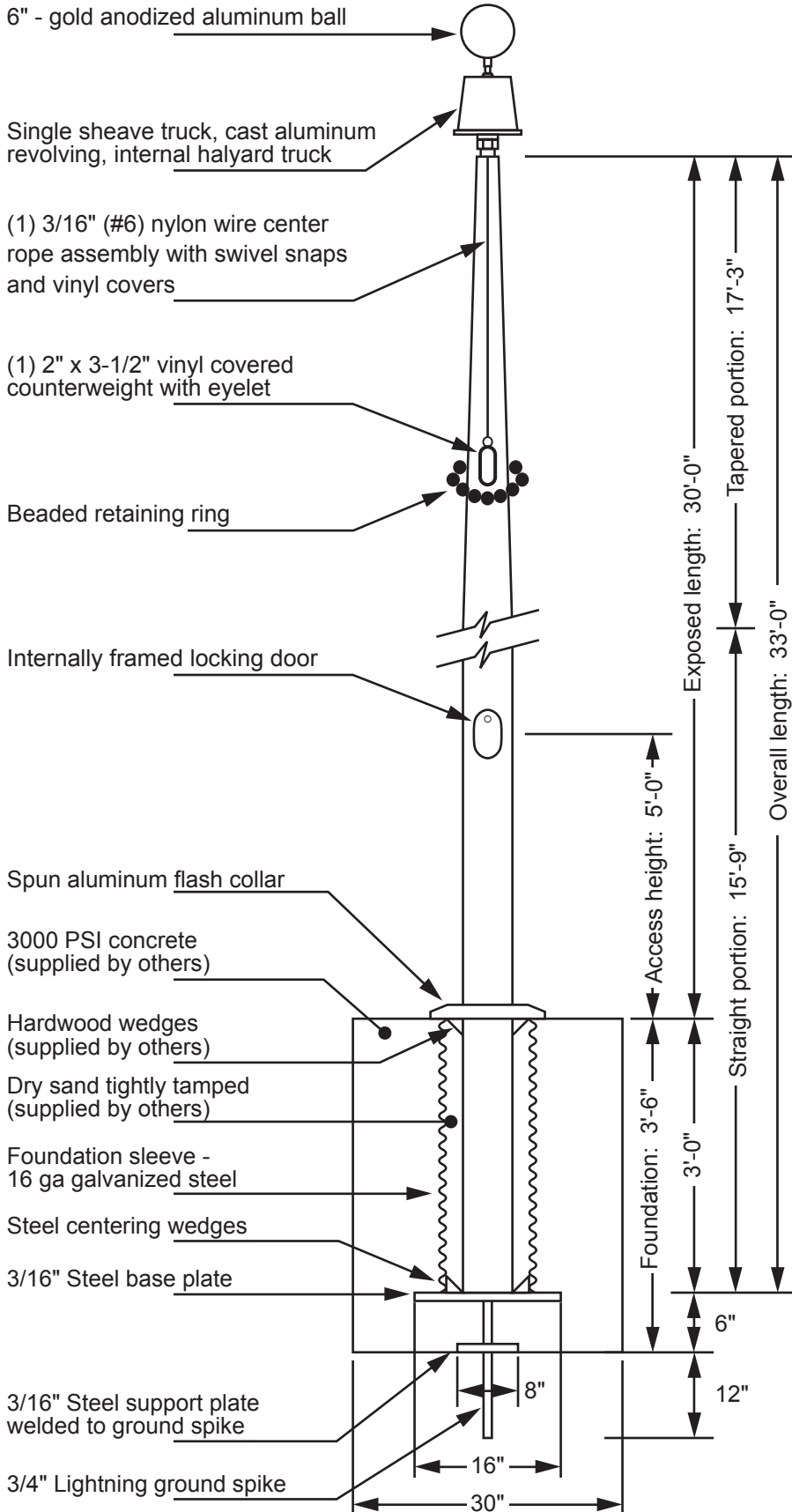
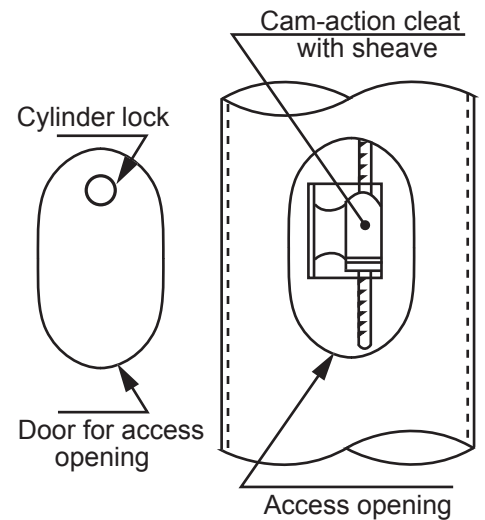



Model ECV30 - Vanguard Internal Halyard



Revolving Internal Halyard Truck
 Cast aluminum body
 Enclosed stainless steel ball bearing and raceway
 Plated steel sheave



Project:	Date:	Exposed Height __ 30'-0"	Ground Set Tapered Aluminum Flagpole ALLOY 6063T6 80 grit polish	EDER FLAG 1000 W. Rawson Avenue Oak Creek, WI 53154 www.ederflag.com
Location:	Job:	Overall Height __ 33'-0"		
Contractor:	Revision:	Butt Diameter __ 6"	FINISH:	
Customer:		Top Diameter __ 3-1/2"		
		Wall Thickness __ .188"		
		Ships in 1 section		